

NOTE: ALL MATERIAL COMPLIANT ROHS STANDARD

REVISION INFORMATION

Rev.	Rev. Date	Modified By	Brief Description
1.0	2021/4/28	Darrick	Change wire and lable

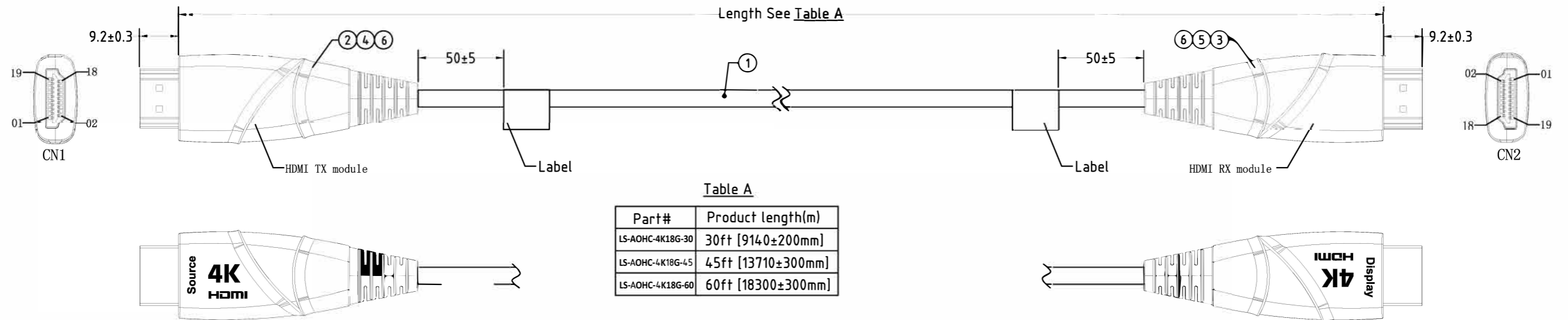
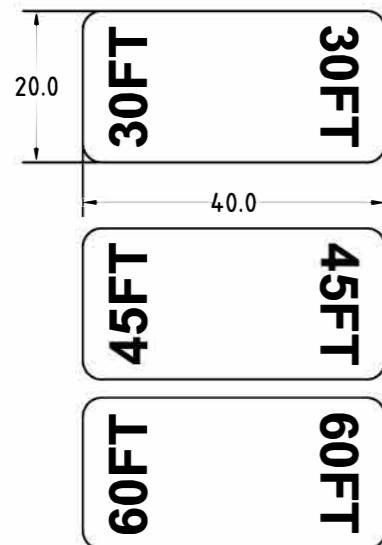


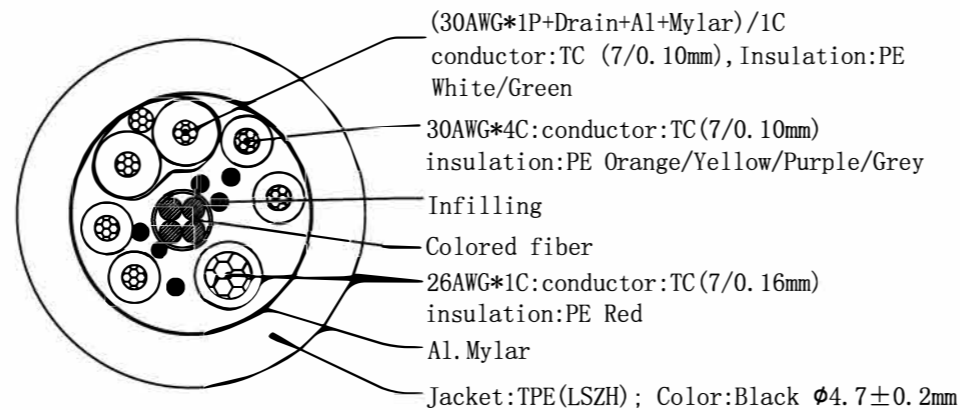
Table A

Part#	Product length(m)
LS-AOHC-4K18G-30	30ft [9140±200mm]
LS-AOHC-4K18G-45	45ft [13710±300mm]
LS-AOHC-4K18G-60	60ft [18300±300mm]

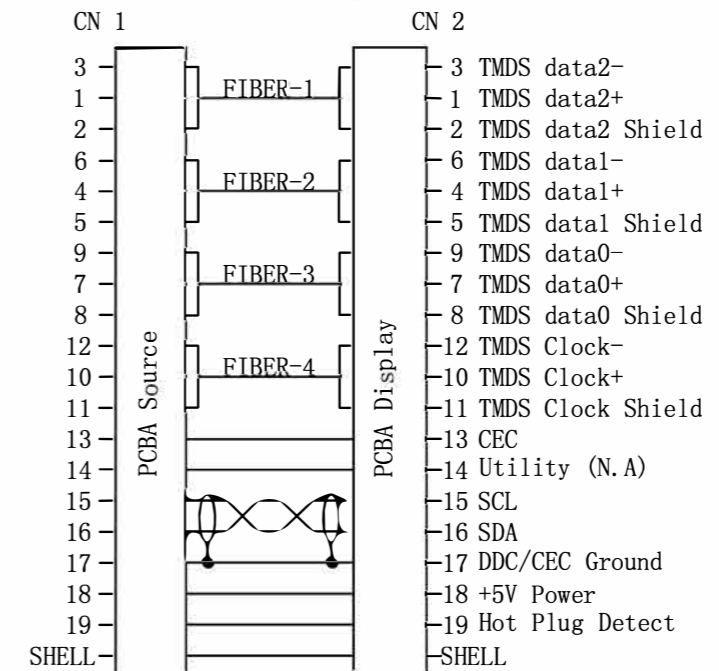
Label:
Size: 40x20mm



Wire Details



PIN ASSIGNMENT



- NOTE:
- ELECTRICAL TEST: (100% real machine transmission test)
 - (1). SOURCE "meets HDMI TX module, stands for firing."
 - (2). DISPLAY "meets HDMI RX module, stands for receive."
 - (3). 100% by 2160P (3840*2160 60HZ) 4:4:4 (YCBCR)
 - (4). Support HDCP2.2; ARC, 3D;
 - (5). Maximum transmission bandwidth 18Gbps
2. RoHS+REACH Compliant;

NO.	PART NAME	SPECIFICATION DESCRIPTION	QTY	UNIT
①	Cable	(Fiber x 4C)*1C+(30#TA*1P+D+A)*1C+30#TA*4C+26#TA*1C+F+A OD4.7mm		
②	HDMI_Conn	HDMI AM TX transmitter module, HDMI gold-plated copper plated connector terminal with pad PCB		
③	HDMI_Conn	HDMI AM RX receiver module, HDMI gold-plated copper plated connector terminal with pad PCB		
④	Shell	HDMI AM upper and lower zinc alloy shell, radium carving, "HDMI", "4K", "Source"		
⑤	Shell	HDMI AM upper and lower zinc alloy shell, radium carving, "HDMI", "4K", "Display"		
⑥	SR-Mold	PVC, Black		

Unless specified on the drawing, tolerances are per the follows:

.	+1
.x	+0.2
.xx	+0.05

LANshack
Sales@LANshack.com | 888-568-1230

DRAWN BY	DATE: 2021/4/28	DESCRIPTION: HAMI 2.0 AOC M-M Cable
CHECKED BY AC	SHEET 1 of 2	ITEM NO. LS-AOHC-4K18G-XX
APPROVED BY SM	SCALE None	REV. 1.0 UNIT:mm